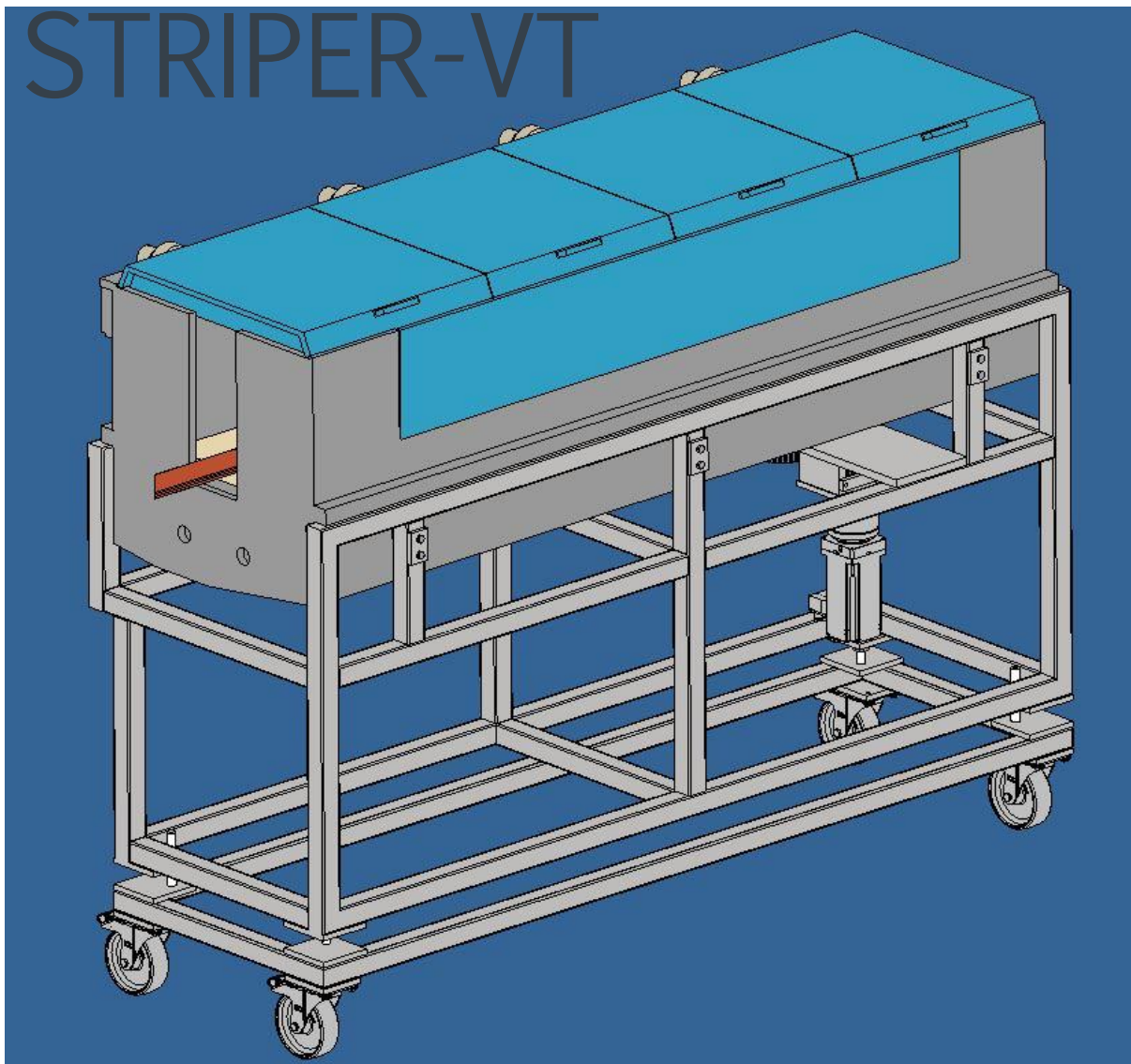


STRIPER-VT



Masking belt plating device



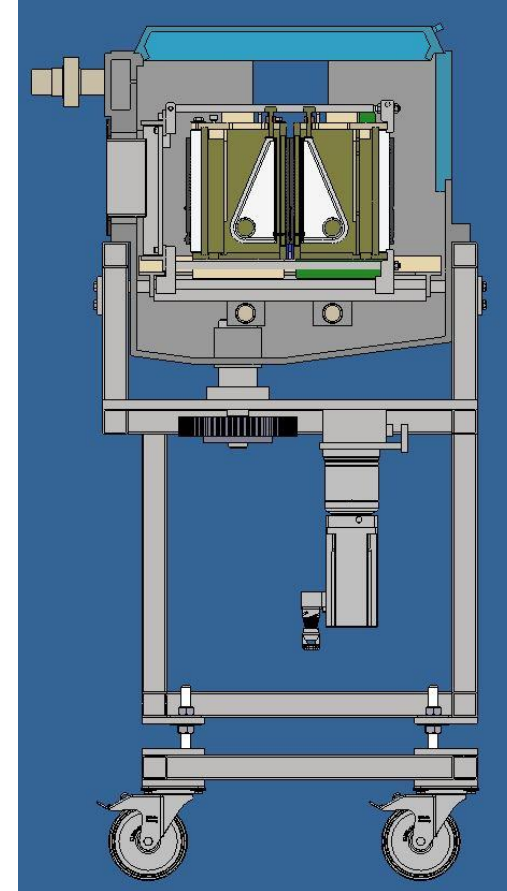
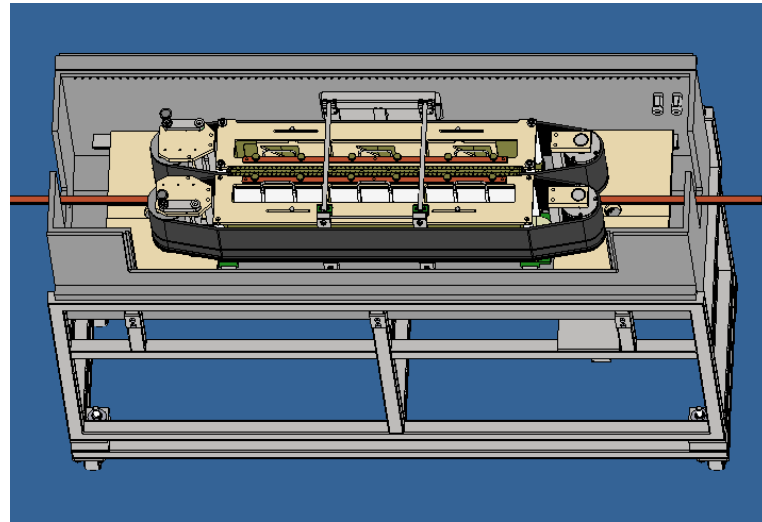
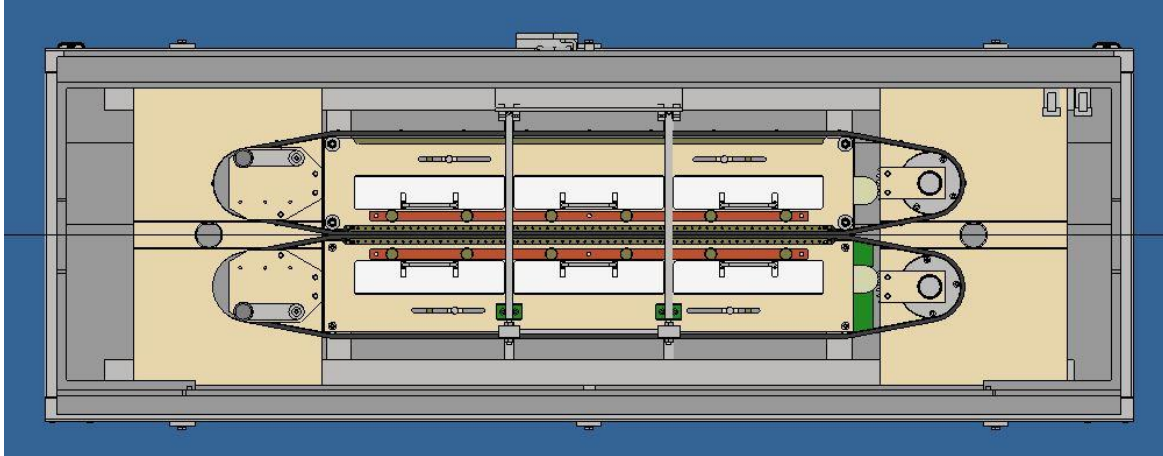
STRIPER-VT

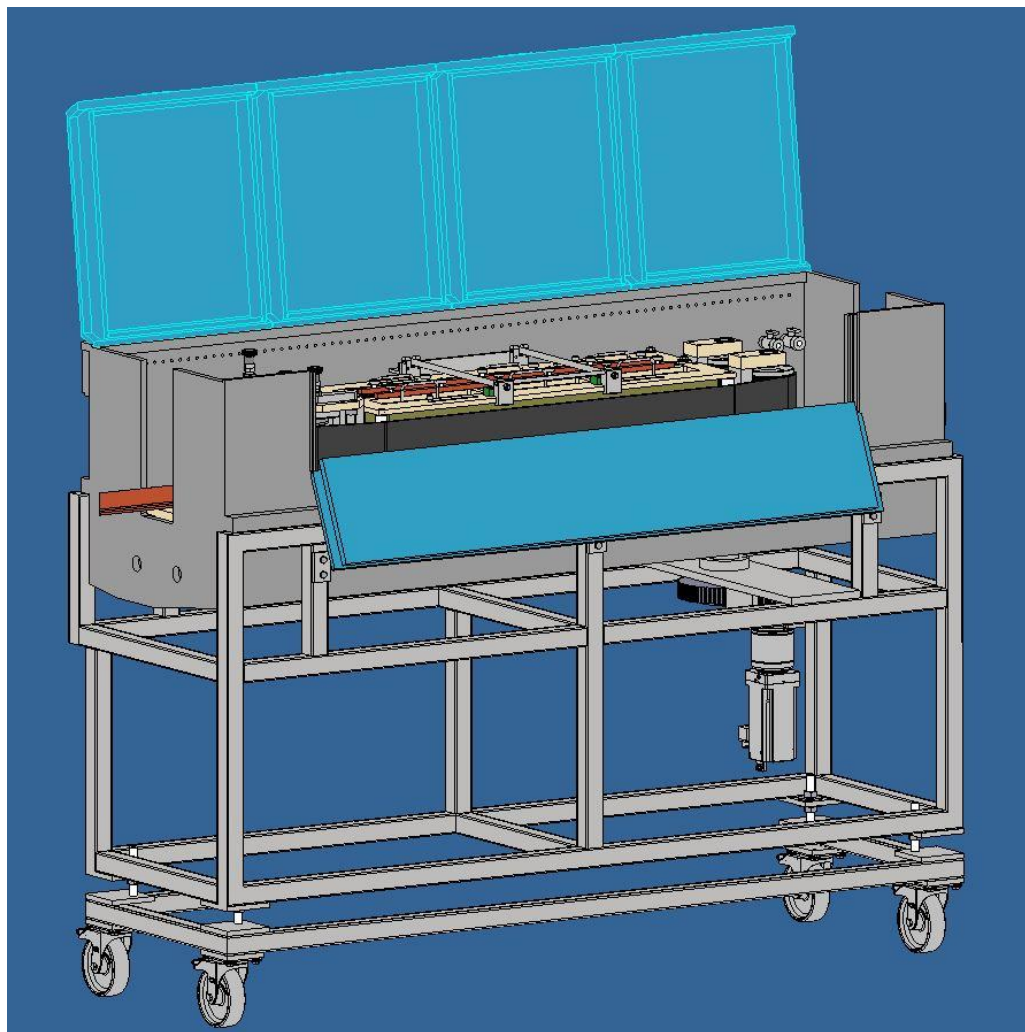


ISO 9001:2000
No CH06/0067

Masking belt plating device

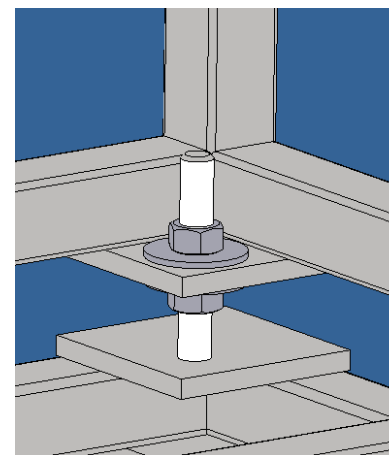
- 750mm plating cell
- 150mm max band width
- Multi stripe on 2 faces
- Minimum plating strip 2 mm each 2mm, to be defined
- Maximum speed 20m/min
- Ag plating ($\sim 24.0 \mu\text{m} / \text{min}$. @ $\sim 40 \text{ A}/\text{dm}^2$)

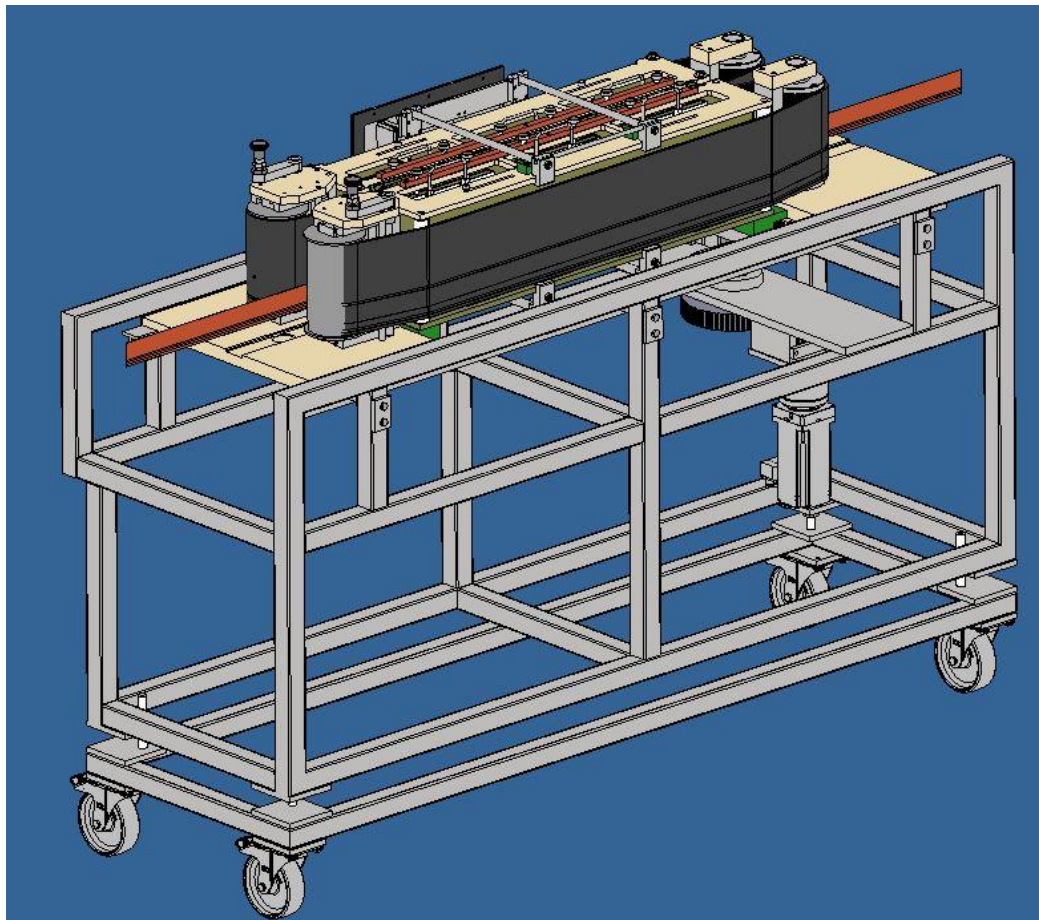




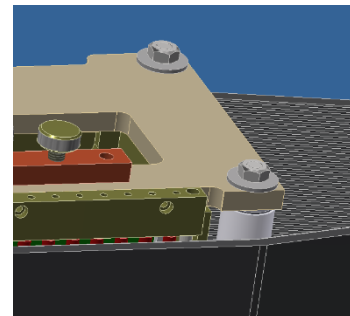
Dimension:
1750mm x 650mm x h 1350mm
Cover open: 1850mm

Mobile system on wheels with
leveling system on 4 x M16 screws





1 fixed rear box tightened by 4 screws on the frame



1 front box mobil on the frame by 2 skates



